



NITUS®

Do it
with us!

ALUMINIUM WINDOWS AND DOORS



**WINDOWS | DOORS | GARAGE DOORS | ROLLER
SHUTTERS | PERGOLAS | FENCING**

Fireproof joinery



Our aluminium fire protection joinery is ideal for public, commercial, industrial, and even residential construction. Proper safety measures implemented in technical windows, doors, and fire partitions effectively block the spread of fire, allowing for quick and safe evacuation. The filling of the fire-rated structure can be either glass or an opaque panel. The fire-rated joinery produced by us meets the strict requirements of European standards EN. The fire resistance of structures of this type can range from EI15 to EI120.

Aluminium facades



Facades are extremely modern curtain walls made from aluminium profile systems. They are used to construct glazed facades of public utility buildings such as banks, hotels, office buildings, showrooms, sports halls, and shopping centres. They are also becoming more and more common in modern single-family houses. Aluminium structures add remarkable elegance to the building's form while ensuring optimal interior lighting with natural daylight. Striking glass and aluminium facades offer unlimited design freedom, allowing bold architectural visions to come to life.

Colour scheme

We achieve exceptional visual effects through painting in standard, wood-like, and textured colours, as well as by combining different colours in a single door model.



Glass tailored to the client's needs

We offer reflective, tinted, Venetian, sandblasted, safety, and anti-burglary glass, allowing for full customization of the doors to meet the individual needs of our clients.



Reflective glass



Venetian mirror

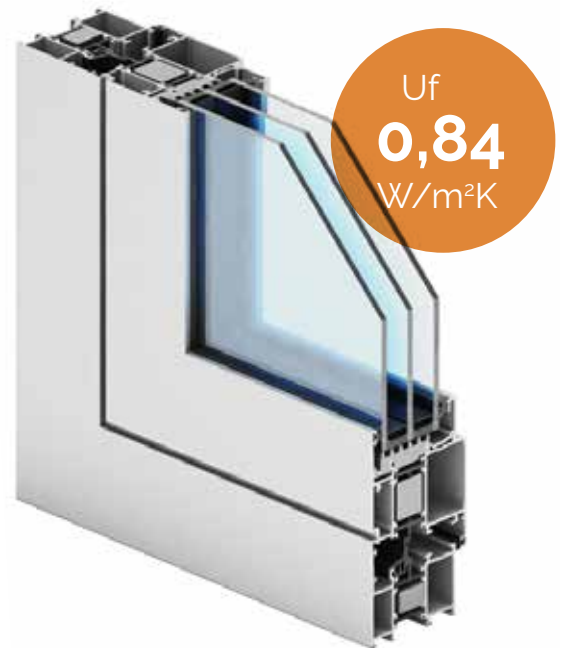


MAT glass

WINDOW SYSTEM GENESIS 75

Three-chamber aluminium windows

A triple-chamber window system designed for constructing windows with enhanced thermal insulation. The GENESIS 75 system uses innovative insulating materials, which are a new addition to the market. In addition to the classic window central seal, an additional thermal seal was designed. The wide range of profiles in this system allows for the design of modern windows and display panels that will feature high functionality.



General characteristics of Genesis 75 windows

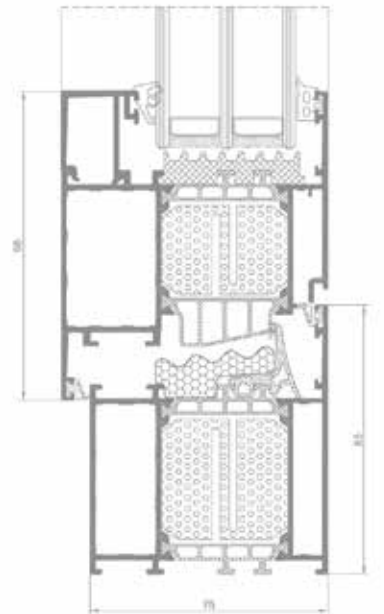
CONSTRUCTION 3-chamber frame construction

PARAMETERS Frame profile thickness 75 mm

TYPE OF SPACER Insulation spacer width 35 mm

THERMAL INSULATION For the profile $U_f = 0,84 \text{ W/m}^2\text{K}$

SEALS Triple sealing system

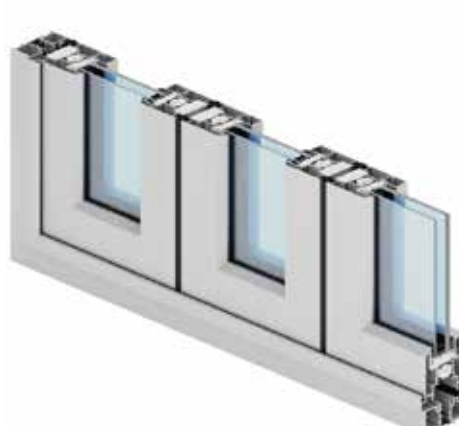


Other aluminium profile systems

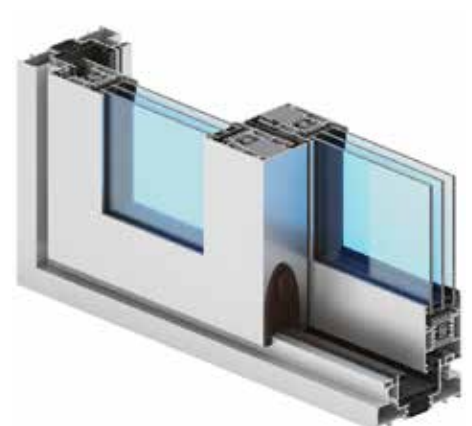
ECONOLINE



PANORAMA



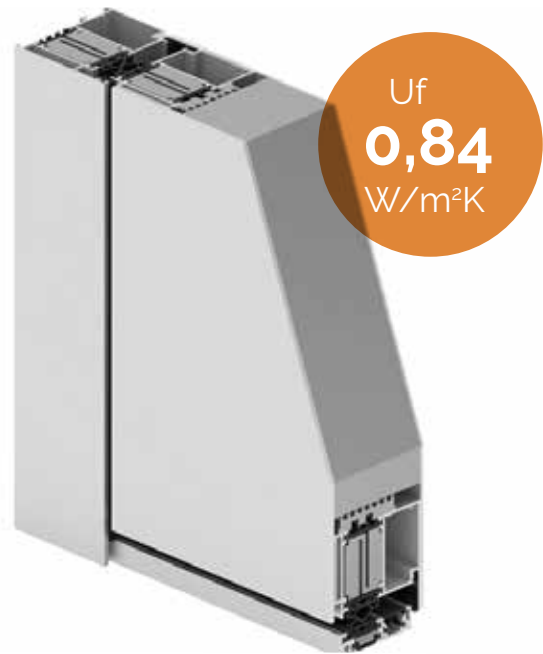
VISOGLIDE



PANEL DOOR GENESIS 75

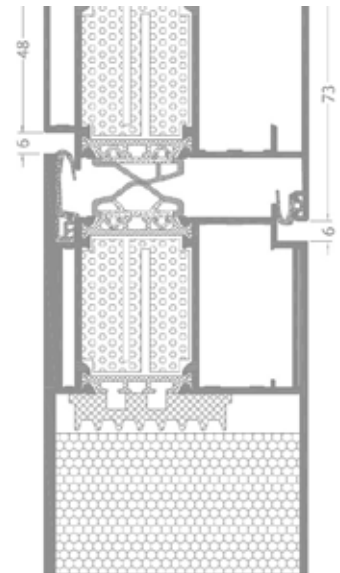
Thermally insulated aluminium system

Thermally insulated aluminium system designed to create single- or double-leaf panel doors. The inclusion of a central seal in the system enhances the door's thermal insulation performance. It is possible to use aesthetic roller or concealed hinges, as well as a wide range of panels to fill the doors. The threshold in this solution is only 15 mm.



General characteristics of Genesis 75 panel doors

CONSTRUCTION	3-chamber frame construction
PARAMETERS	Frame profile thickness 75 mm
TYPE OF SPACER	Insulation spacer width 35 mm
THERMAL INSULATION	For the profile $U_f = 0,84 \text{ W/m}^2\text{K}$
SEALS	The depth of the leaf is 75 mm



Other aluminium profile systems

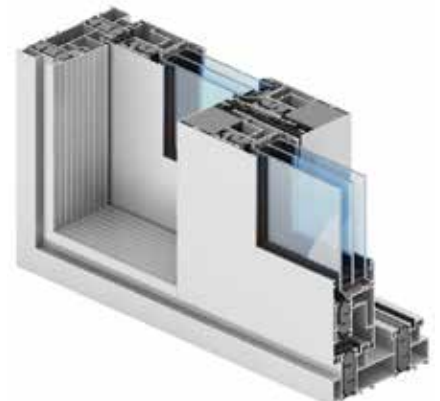
ECOSLIDE



MODERN SLIDE



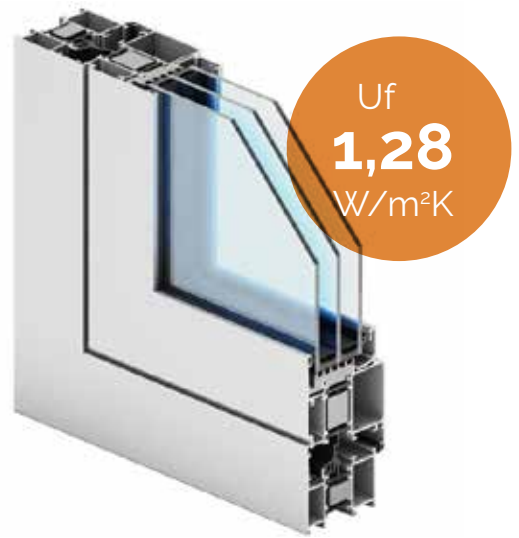
ULTRAGLIDE



IMPERIAL SYSTEM

Functional aluminium solutions

The system is designed for the construction of windows, doors, and display panels with high thermal insulation performance. IP i and IP i+ system variants available. High thermal insulation properties are achieved through the use of special thermal inserts slid between the thermal spacers and around the glass. The system can be used in facade projects, and the wide range of profiles in the IMPERIAL system allows for high aesthetic appeal and structural durability.



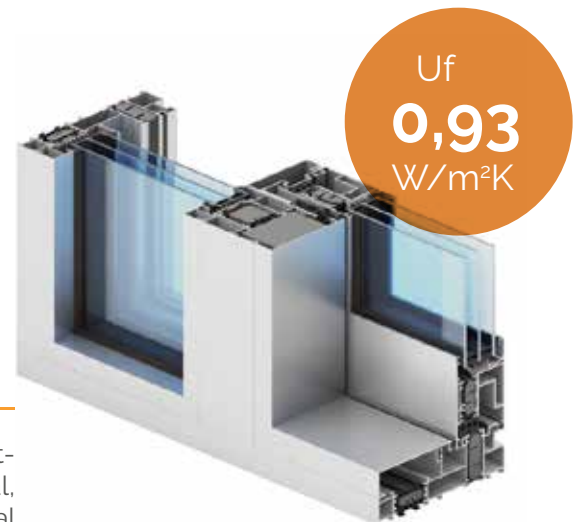
General characteristics of the Imperial system

NUMBER OF CHAMBERS IN THE FRAME	THICKNESS OF THE FRAME	WIDTH OF THE SPACER	UF COEFFICIENTS	SEALS AROUND THE PERIMETER
3	65 mm	19 mm	1,28 W/m ² K	3

MONORAIL WINDOW SYSTEM

Energy-efficient patio doors

The system is dedicated to the construction of sliding or lift-and-slide doors, most commonly used in residential, individual, and public utility construction. It is characterised by high thermal insulation, security, and exceptional aesthetics. The MONORAIL system enables the design of large and stable windows and doors with a sliding leaf. It can be made with a low threshold, including in 90-degree corner solutions.



General characteristics of Monorail windows

NUMBER OF CHAMBERS IN THE FRAME	THICKNESS OF THE FRAME	WIDTH OF THE SPACER	UF COEFFICIENTS	TYOE OF OPENING
5	176 mm	two with a width of 40 mm and 17 mm	0,93 W/m ² K	lift-and-slide and sliding doors



NITUS ALUMINIUM WINDOWS AND DOORS:



High thermal insulation

NITUS aluminium joinery with high thermal insulation values is available in our offer in four systems. Each of them, including Imperial, Superial, Star and Genesis, allow the construction of many different types of windows and doors. A wide range of profiles and fittings allows the creation of aluminium doors and windows: tilt-and-turn, outward-opening, tilt, tilt-and-slide, rotating, and hinged.



Safety

Fittings are one of the most important elements of any window and door joinery. They determine not only its functionality, comfort, and safety of use, but also its durability and mechanical strength. Opening large windows and doors requires the use of reliable technology. Therefore, NITUS aluminium joinery is equipped with an innovative locking system, anti-lifting bolts, and a three-point automatic lock in the doors.



Aesthetics

The NITUS aluminium joinery offer presents elegant yet original finishing options. A variety of glazing options, infill panels in the doors, a wide range of shapes, handles or pulls, and an extensive colour palette allow our clients to create unique solutions for their homes.



Timeless design

The perfect arrangement of your dream home can be easily achieved through the careful selection of joinery that will complement the facade and other elements of the building. To achieve this, NITUS provides a wide selection of door infills, veneers, and finishes for its aluminium joinery.



Durability

NITUS aluminium joinery performs excellently even in the most extreme weather conditions. It is resistant to wind gusts, moisture, and temperature fluctuations. It exhibits high mechanical strength against damage, deformation, and scratching.



Ease of use

Customising aluminium joinery to the design of your dream home brings numerous benefits and ensures daily comfort of use. Choosing the right systems and smart solutions guarantees convenience and tangible savings.



NITUS

Do it
with us!

nitus@nitus.pl | +48 14 307 0 300 | www.nitus.pl

Partner